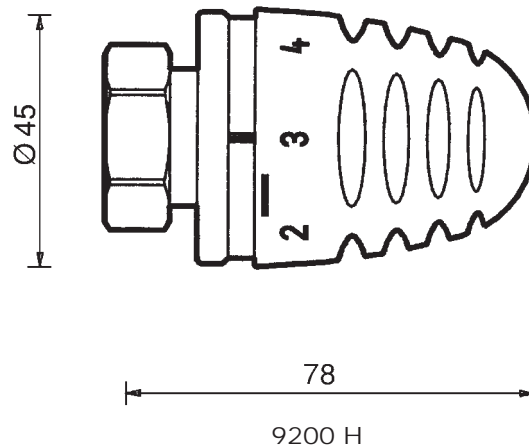


HERZ THERMOSTAT

Miniaturised Thermostatic Head with Hydrosensor (Liquid Filled) for Installation on Radiators with Integrated Valves

Standard Sheet for
9200 H
Edition 0399



HERZ-Thermostatic Head



1 9200 38
1 9200 68

HERZ-Thermostatic Head „Mini” – H

for direct installation on radiators with integrated valves with connection thread M 30 x 1.5.

- 1 9200 38 With "0" position, frost safety limit temperature adjustable; set value range with limiting and locking functions, white hand wheel.
- 1 9200 68 With automatic frost release; set value range with limiting and locking functions, white hand wheel.

Models



Set value range 1 9200 38: 6–30 °C
 1 9200 68: 6–28 °C
Frost safety limit temperature 6 °C

The HERZ-thermostat is maintenance free.

Operating Data

The HERZ-thermostats are screwed directly, i.e. without an adapter, onto the connection thread M 30 x 1.5 of radiators with integrated valves.

Application

The HERZ-thermostat serves as a sensor and control element. The change in volume of the liquid contained in the HERZ-hydrosensor actuates the valve spindle.

Mode of Operation

HERZ-Thermostatic Head „Mini”,

radiator thermostat with hydrosensor (liquid filled)
for installation on all HERZ valves suitable for thermostatic operation.

- 1 9200 30 With "0" position, frost safety limit temperature adjustable at approx. 6 °C; set value range with limiting and locking functions (6 – 30 °C).
- 1 9200 60 With automatic frost release at approx. 6 °C; set value range with limiting and locking functions (6 – 28 °C).

A separate Standard Sheet is available for these models.

Additional Models

We reserve the right to make
modifications necessitated
by technological progress.

HERZ Armaturen

Richard-Strauss-Straße 22 • A-1230 Wien



By setting the scale marks opposite the pointer it is possible to achieve approximately the following temperatures in the room. Deviations of a few degrees of temperature (K) are possible according to the mode of installation and the design of the heating system.

Mark	*	1	2	3	4	5	max.
~ °C	6	12	16	20	24	28	30

Thermostat 1 **9200** 38: Turn anticlockwise up to the maximum position (preset by the manufacturer), corresponds to approx. 30 °C.

Thermostat 1 **9200** 68: at scale mark "5", corresponds to approx. 28 °C.

Position "3" corresponds to a room temperature of approx. 20 °C. This means optimum comfort and energy saving.

In the "*" -position, the valve opens automatically at an ambient temperature of approx. 6 °C, thus preventing the system from freezing up.

In the "0" -position the thermostatic valve is shut off and the frost release is turned off.

After the end of the heating period, open thermostats completely by turning anticlockwise to prevent the formation of dirt deposits at the valve seat.

Theft protection clips are available which are fitted over the fastening nut.

Under no circumstances should the thermostat be exposed to direct sunlight or to the effects of equipment emitting relevant quantities of heat (e.g. TV-sets). If the radiator is covered (e.g. by curtains) or enclosed by structural components, a heat accumulation zone will be formed in which the thermostat cannot sense the room temperature properly and consequently is not in a position to control it.

In these cases, use HERZ-thermostats with remote sensor or remote control which are mounted onto the thermostatic lower part integrated into the radiator by means of the HERZ-adaptor ring (1 **6357** 11).

- 1 **6640** 00 Theft protection opener
- 1 **9551** 02 Limiting pins for limiting and locking
- 1 **9552** 98 Theft protection (snap clips)
- 1 **9597** 44 Cover sleeve for thermostat fastening nut

Setting Options

Hand Wheel Scale

Maximum Position

Comfort Point "3"

Frost Release *

Shutoff Function Thermostat 1 **9200** 38

Summer Position

Theft Protection



Import for Installation



Accessories

Installation

1. Remove screw cap or hand wheel from the integrated thermostatic valve.
2. Place thermostatic head in completely open position (as delivered) on the thermostatic lower part in such a way that the anti-twist lock engages and the setting is clearly visible.
3. Attach union nut and tighten gently (32-mm-key).
4. Check for correct operation by turning the hand wheel, and set to the desired temperature.

Concealed Limiting or Locking

Setting one or two plug-in limiting pins permits to limit or lock the turning range in such a way that it is invisible to and unchangeable by any unauthorised person.

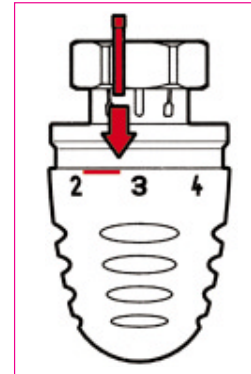
The limiting pins are available as accessories. Set: Article number 1 **9551** 02.

Procedure

The base at the lower side of the thermostatic head is equipped with a hole circle for the limiting pins.

- Set the hand wheel of the thermostatic head to the desired limiting or locking position;
- Between positions "2" and "3" on the hand wheel scale there is a crossline which marks the points where the limiting pins are to be set.

- Lower Limit:
Insert pin in the hole aligning with the right end of the line.
- Upper Limit:
Insert pin in the hole aligning with the left end of the line.
- Blocking at one Setting:
Set one pin at each end of the line.
- The limiting pins must be inserted up to the stop (enlargement).
They can be removed with an appropriate tool (flat pliers, etc.)



HERZ-3000 Connection System for Radiators with Integrated Valves

HERZ-3000-bypass bodies with draining and single shutoff valves (straight and angle models) with pre-setting and draining functions are available as connection elements with shutoff function between radiators with integrated valves and the piping (one and two-pipe systems). These components permit any mode of installation.

We will be glad to send you the HERZ-3000 Standard Sheet upon request.