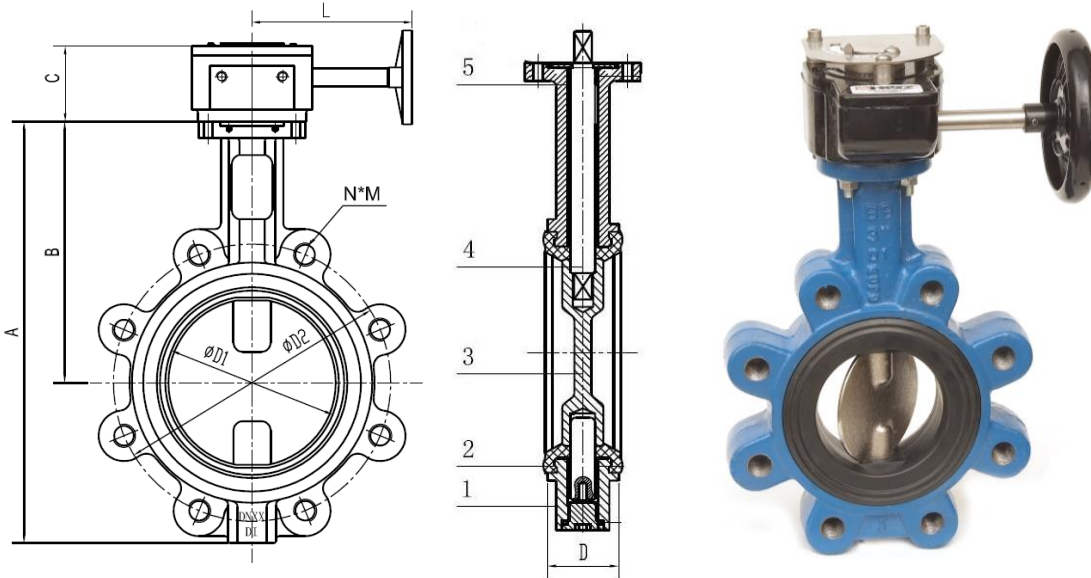


HERZ DR Fully Lugged Butterfly Valve PN16

Standard sheet for
BF-DR-FLG
(0111)



Size	ØD1	ØD2	N*M	A	B	C	D	L
DN50	47.5	125	4xM16	188	125	72	43	120
DN65	62	145	4xM16	202	150	72	46	120
DN80	76	160	8xM16	240	157	72	46	120
DN100	95	180	8xM16	278	182	72	46	120
DN125	120	210	8xM16	314	201	72	56	120
DN150	145	240	8xM20	324	214	82	56	185
DN200	195	295	12xM20	400	245	82	60	185
DN250	245	355	12xM24	478	283	82	68	203
DN300	295	410	12xM24	528	308	82	78	203

Dimensions

No	Item	Material	Specification	Operator
1	Body	Ductile Iron	BS EN1563 EN-JL1030	Gear
2	Liner	Elastomer	EPDM	
3	Disc	Stainless Steel	EN10088. 1.4021	
4	Shaft	Stainless Steel	EN10088. 1.4021	
5	Bearing	PTFE	Steel/PTFE	

Materials

EN558-1
End Flange: BS EN 1092-2 PN16
Top Flange: ISO5211

Working Temperature: -10 to 120°C
Test pressure
Shell 24 bar
Seat 17.6 bar

Specification



Herz Valves UK Ltd
Progress House
Moorfield Point
Moorfield Road
Guildford
Surrey
GU1 1RU

Tel 01483 502211
Fax 01483 502025

Sales@herzvalves.com

www.herzvalves.com