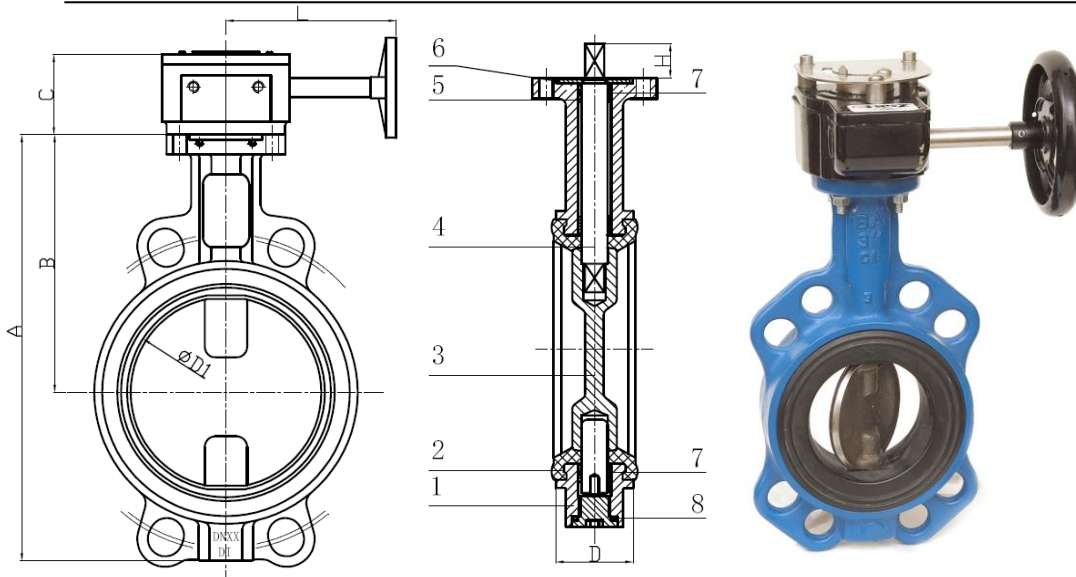


# HERZ DR Semi Lugged Butterfly Valve PN16

Standard sheet for  
BF-DR-SLG  
(0914)



Size	H	A	B	C	D	L	Weight
	mm	mm	mm	mm	mm	mm	Kg
DN50	29	189	126	64	43	173	6.0
DN65	29	202	133	64	46	173	6.3
DN80	29	238	152	64	46	173	6.7
DN100	29	276	170	64	52	173	8.6
DN125	29	296	181	64	56	173	10.4
DN150	29	324	196	64	56	173	11.2
DN200	41	398	238	80	60	237	21.5
DN250	41	448	258	80	68	237	30.0
DN300	41	535	300	82	78	225	43.5

Dimensions

No	Item	Material	Specification	Operator
1	Body	Cast Iron	BS EN1561 EN-JL1040	Gear
2	Seat	EPDM	WRAS 0504515EPDM	
3	Disc	Stainless Steel	CF8	
4	Shaft	Stainless Steel	SS416	
5	Bearing	PTFE	PTFE	
6	Plate	Steel	ASTM A283	
7	O Ring	Elastomer	EPDM	
8	Gasket	Elastomer	EPDM	

Materials

EN593

Face to Face: EN558-1

End Flange: BS EN 1092-2 PN16

Top Flange: ISO5211

Working Temperature: -10 to 120°C

Test pressure

Shell 24 bar

Seat 17.6 bar

Specification



Herz Valves UK Ltd  
Progress House  
Moorfield Point  
Moorfield Road  
Guildford  
Surrey  
GU1 1RU

Tel 01483 502211  
Fax 01483 502025

Sales@herzvalves.com

www.herzvalves.com

